

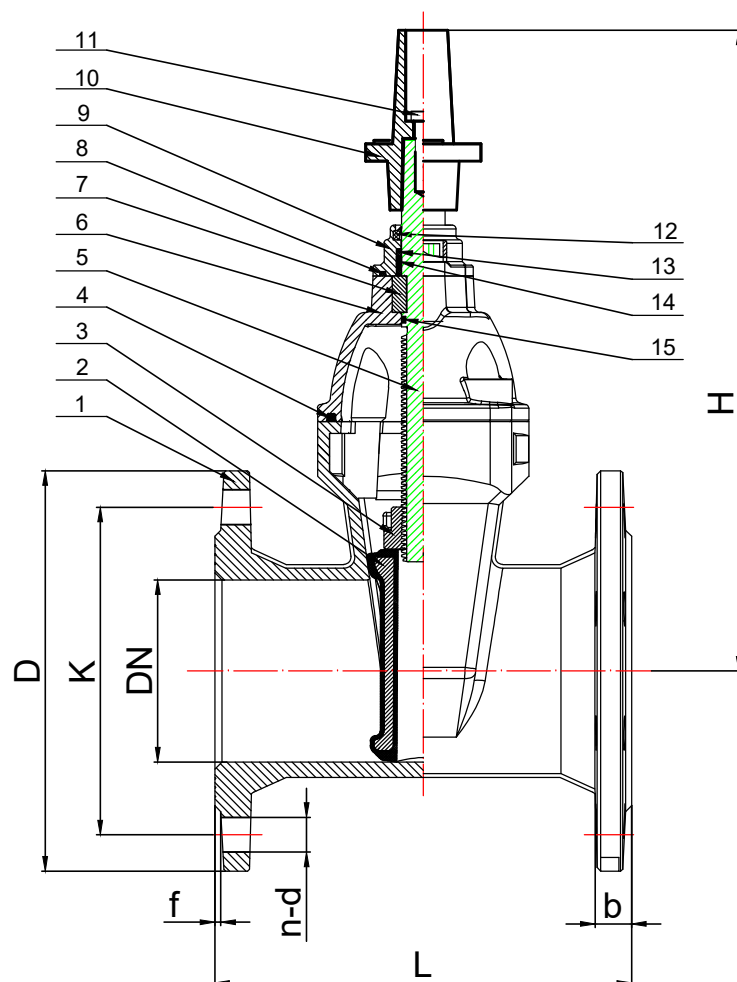
# Non-rising Stem Resilient Seated Gate Valves

## Reference Standard

Design	EN 1171
Flange	EN 1092-2
Face to Face	EN558-1
Tests	EN 12266-1

## Main Technical Parameters

DN	DN40-300	
PN	1.0/1.6MPa	
Test pressure	Strength	1.5/2.4MPa
	Seal up	1.1/1.8MPa
Temperature	0-80°C	
Medium	Clear, sewage, air	
Drive form	Square cap	



15	O Ring	NBR	ISO 4633
14	Separated sets of nylon	nylon 66	
13	O Ring	NBR	ISO 4633
12	Dust Ring	NBR	ISO 4633
11	Screw	A2-70	ASTM A959
10	Cap	GGG50	DIN 1693
9	Gland	GGG50	DIN 1693
8	O Ring	NBR	ISO 4633
7	Holding Ring	CuZn39Pb1	EN 12167
6	Bonnet	GGG50	DIN 1693
5	Stem	SS420	ASTM A959
4	Bonnet Gasket	NBR	ISO 4633
3	Stem Nut	CuZn39Pb1	EN 12167
2	Disc	EPDM+GGG50	DIN 1693
1	Body	GGG50	DIN 1693
ITEM	PART NAME	MATERIAL	STANDARD

DN	OUTLINE mm				END FLANGE PN10/16 mm				
	BS5163	DIN-F4	DIN-F5	H	EN1092-2				
	L				D	K	n-d	b	f
40	165	140	240	300	150	110	4-Ø19	19	3
50	178	150	250	295	165	125	4-Ø19	19	3
65	190	170	270	305	185	145	4-Ø19	19	3
80	203	180	280	335	200	160	8-Ø19	19	3
100	229	190	300	375	220	180	8-Ø19	19	3
125	254	200	325	410	250	210	8-Ø19	19	3
150	267	210	350	460	285	240	8-Ø23	19	3
200	292	230	400	560	340	295	8-Ø23/12-Ø23	20	3
250	330	250	450	660	405	350/355	12-Ø23/12-Ø28	22	3
300	356	270	500	740	460	400/410	12-Ø23/12-Ø28	24.5	4