

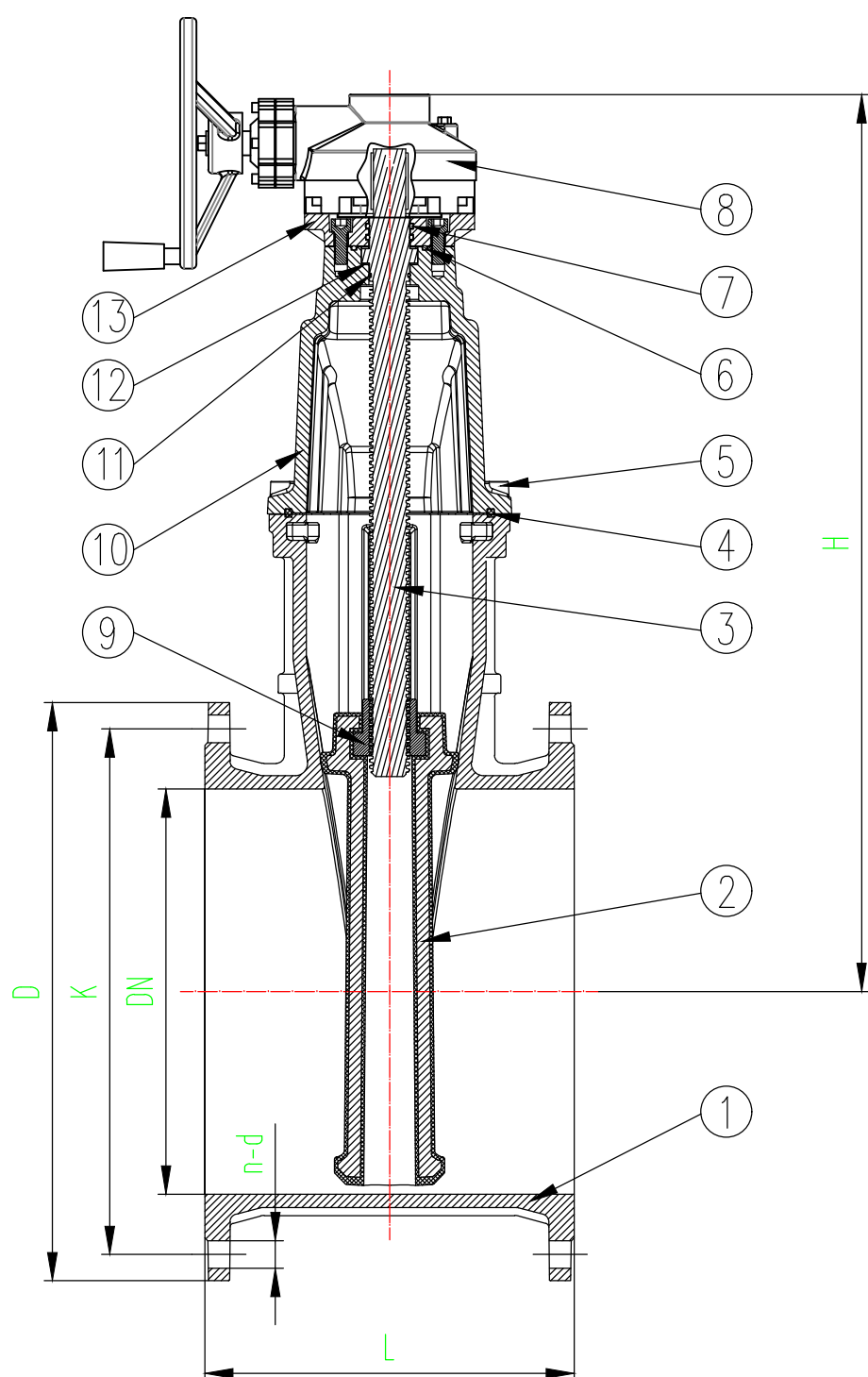
Non-rising Stem Resilient Seated Gate Valves

Reference Standard

Design	EN 1171
Flange	EN 1092-2
Face to Face	EN 558-1
Tests	EN 12266-1

Main Technical Parameters

DN	DN250-800	
PN	1.0/1.6MPa	
Test pressure	Strength	1.5/2.4MPa
	Seal up	1.1/1.8MPa
Temperature	0-80°C	
Medium	Clear, sewage, air	
Drive form	Gear Box	



13	Top Flange	GGG50	DIN 1693
12	Thrust Washer	CuZn39Pb1	EN 12167
11	O Ring	NBR	ISO 4633
10	Bonnet	GGG50	DIN 1693
9	Stem Nut	CuZn39Pb1	EN 12167
8	Gear Box	Assembly	
7	O Ring	NBR	ISO 4633
6	O Ring	NBR	ISO 4633
5	Screw	C45E	EN 10083
4	Bonnet Gasket	NBR	ISO 4633
3	Stem	SS420	ASTM A959
2	Disc	EPDM+GGG50	DIN 1693
1	Body	GGG50	DIN 1693
ITEM	PART NAME	MATERIAL	STANDARD

DN	OUTLINE mm				END FLANGE PN10/16 mm		
	BS5163	DIN-F4	DIN-F5	≈H	EN1092-2		
	L				D	K	n-d
250	330	250	450	680	Ø405	Ø350/355	12-Ø23/12-Ø28
300	356	270	500	760	Ø460	Ø400/410	12-Ø23/12-Ø28
350	381	290	550	810	Ø520	Ø460/470	16-Ø23/16-Ø28
400	406	310	600	945	Ø580	Ø515/525	16-Ø28/16-Ø31
450	432	330	650	1035	Ø640	Ø565/585	20-Ø28/20-Ø31
500	457	350	700	1115	Ø715	Ø620/650	20-Ø28/20-Ø34
600	508	390	800	1275	Ø840	Ø725/770	20-Ø31/20-Ø37
700	610	430	900	1505	Ø910	Ø840	24-Ø31/24-Ø37
800	660	470	1000	1655	Ø1025	Ø950	24-Ø34/24-Ø41